

EXPOBAR GRINDERS



A strong brand of Crem International

EXPOBAR®

www.creminternational.co.uk

CONTENTS

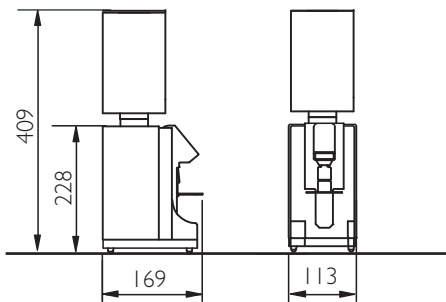
Index	2
Grinders	
Mignon	3
Brasil	4
Marfil	5
Club	6
Zenith On Demand	7
Olympus	8
Drogheria	9
Original	10



Professional features with no compromise: Mignon instant grinder is a fundamental partner to all baristas that wish to satisfy their customers needs with decaffeinated or “gourmet” coffee. Notwithstanding its dimensions, Mignon guarantees the same grinding quality and many other features as all other professional grinders. These relevant features make Mignon the perfect on demand grinder to offer to your customers an alternative to your daily traditional blend.

Technology in a Mignon size. The micrometric adjustment of grinding thickness with rotor blade axial slide enables the best possible grinding. Its instant dosing ensures the best quality and aroma.

Mignon, the versatile grinder: Thanks to its multiple options, Mignon is the perfect grinder to cover the most various needs. The die cast aluminium cabinet makes Mignon a strong and reliable grinder, that can easily withstand the frenetic rhythm of bars.



SPECIFICATIONS

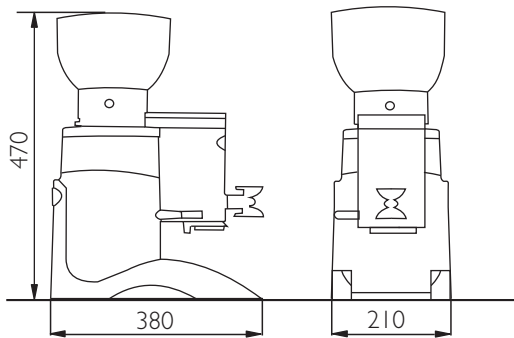
Grindstones	
Type	Flat
Diameter	50mm
Material	Hardened Steel
Motor	
Drive	Direct
Speed	1350 RPM
Power	225 watt
Dimensions	
Height	409mm
Width	152mm
Depth	169mm
Weight	4.5Kg



Product Code: 20501

BRASIL is a traditional espresso grinder that grinds the beans directly down into a 300g dosing chamber. You can then simply take some newly-ground coffee out of the container to make single or double espresso. The grinder is easy to adjust, to give the right grinding level. The bean container holds 1 kg. A tamper is included with the grinder. Supplied in black ABS body styling.

Innovative features like the pivoting tamper mounted on the doser chamber means Brasil will work with any size of filter basket in the group handle. Integrated grounds tray also minimises the grinder footprint saving valuable bar surface area.



SPECIFICATIONS

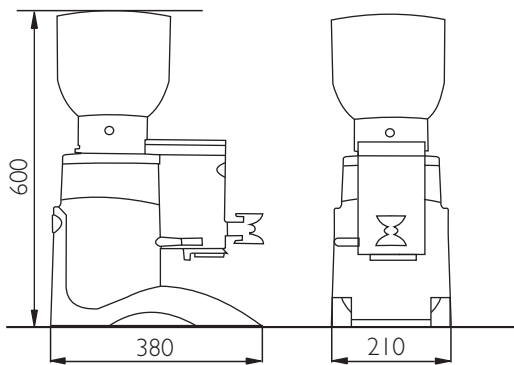
Grindstones	
Type	Flat
Diameter	60mm
Material	Hardened Steel
Motor	
Drive	Direct
Speed	1300 RPM
Power	275 watt
Supply	230vac
Various	
Hopper	1.0 Kg
Doser with counter	600g - 5g to 12g
Hourly Output	3.0Kg
Dimensions	
Height	470mm
Width	210mm
Depth	380mm
Weight	8Kg



Product Code: 20510

MARFIL is the perfect grinder for lower volume cafes who don't have a large budget for their grinder. Manual operation grinder with large hardened steel 60mm cutting blades combined with a 360watt motor which is thermally protected. Full one piece moulded ABS design ensures operation with less vibration. Adjustable doser and a stepped micro metric grinding adjustment wheel for easy setting of the coffee.

Marfil is equipped with one the most versatile dosing chambers around with a 5g to 12g operational setting. The doser chamber also features a locating ring for easy group handle location which means less coffee spillage.



SPECIFICATIONS

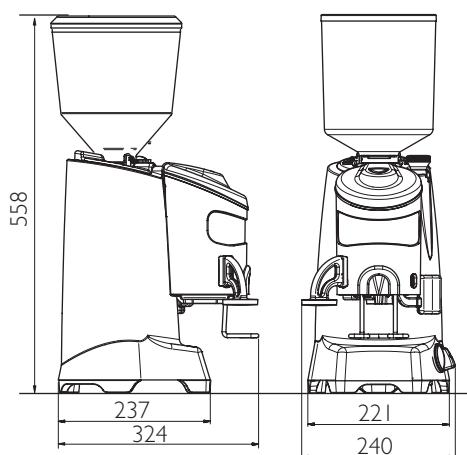
Grindstones	
Type	Flat
Diameter	60mm
Material	Hardened Steel
Motor	
Drive	Direct
Speed	1300 RPM
Power	360 watt
Supply	230vac
Various	
Hopper	2.0 Kg
Doser with counter	600g - 5g to 12g
Hourly Output	4.0Kg
Dimensions	
Height	600mm
Width	210mm
Depth	380mm
Weight	9.5Kg



Product Code: 20509

CLUB is a quiet, traditional espresso grinder with high precision that grinds directly into an auto stop dosing chamber. The grinding degree can be easily and accurately adjusted and it guarantees perfect grinding of the coffee every time. The dispenser places the ground coffee to the middle of the filter handle to reduce the spread and spills. The size of the doses you can set easily with an accessible knob. Handling, cleaning and service is smooth. The grinder is equipped with a tamper on the side and is available in a silver/grey finish.

Innovative mechanism allows you to regulate the maximum quantity of the coffee ground in the doser on 5 levels: this patent reduces the coffee decay caused by oxidation and ageing. The dose stability is also guaranteed by the new Rotax® mechanics and the closed sectors in the dosing dispense.



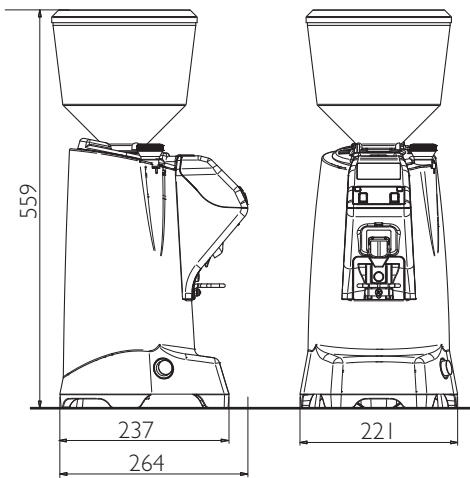
Product Code: 20502

SPECIFICATIONS

Grindstones	
Type	Flat
Diameter	60mm
Material	Hardened Steel
Motor	
Drive	Direct
Speed	1330 RPM
Power	280 watt
Supply	230vac
Various	
Hopper	1.2 Kg
Doser with counter	650g - 5g to 10g
Hourly Output	5.5Kg
Dimensions	
Height	558mm
Width	379mm
Depth	231mm
Weight	11.5Kg

ZENITH is a smooth automatic espresso grinder with high precision that grinds the beans directly into the filter handle. The ground coffee is led down into an adjustable outlet to avoid spills. The grinder ensures perfect dosage thanks to an electronic control system. The grinding degree may be easily and accurately adjusted and it guarantees perfect grinding of the coffee every time. The grinder is equipped with programmable buttons for grinding of single or double espressos. It is also possible to grind your chosen amount of coffee. Handling, cleaning and service is smooth. Supplied in gloss black.

Technology using digital control of the timed doses allows freshness of the coffee and precise control over 1 cup, 2 cup and continuous dispense times. Easy user interface for filter handle size with built in electronic dispense counters.



SPECIFICATIONS

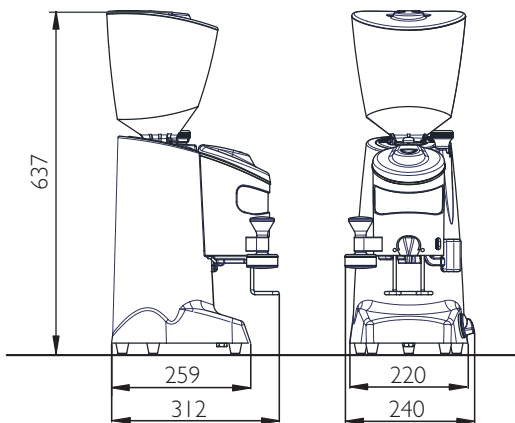
Grindstones	
Type	Flat
Diameter	64mm
Material	Hardened Steel
Motor	
Drive	Direct
Speed	1290 RPM
Power	280 watt
Supply	230vac
Various	
Hopper	1.2 Kg
Digital doser counter	Yes
Hourly Output	5.5Kg
Electronic timed doses	2.4 - 15 sec
Material	Aluminium/ABS
Dimensions	
Height	559mm
Width	221mm
Depth	264mm
Weight	11.5Kg



Product Code: 20505

OLYMPUS is a heavy duty professional coffee grinder with 68 mm hardened steel conical burrs and a low motor RPM of 680 revs ensure less heat during the grinding action. Comes fitted with micro metric adjustment without stop points and full motor raise lower operation to ensure a perfect alignment of the burrs. Rotax doser design means the doser now has 5 levels of filling to vary the quantity in the auto stop dosing chamber which allows the operator to determine the coffee powder volume in order to avoid waste coffee and to maintain the quality of the ground coffee. Supplied in silver body with chrome trim.

Powerful and gentle grinder features thanks to the craftsman blending of the 600W motor and the precision of conical grinding blades coupled with solid performance and durability from the full die-cast body and doser unit to the Innovative reversible stainless steel tamper for all group handles.



SPECIFICATIONS

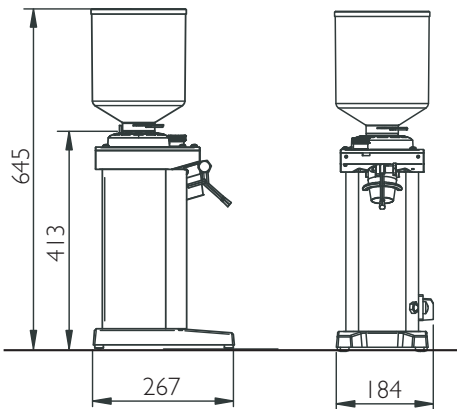
Grindstones	
Type	Conical
Diameter	E 13/68
Material	Hardened Steel
Motor	
Drive	Direct
Speed	680 RPM
Power	600 watt
Supply	230vac
Various	
Hopper	1.68 Kg
Doser with counter	450g - 5g to 10g
Hourly Output	22.0Kg
Dimensions	
Height	647mm
Width	240mm
Depth	312mm
Weight	17Kg



Product Code: 20503

DROGHERIA is professional with its compactness, its distinctive design and stunning finish makes the Drogheria the ideal retail grinder for coffee shops and bars where the grinding has to be performed instantly and to the customer's requirements. Drogheria will perfectly suit any location that has a requirement for selling their coffee beans for customers to use at home in either Filter, Cafetiere or Espresso format.

Easy adjustment the Fast Micrometric Adjustment matches the user-friendly features of all our coffee grinders. The practical graduated knob allows to you change in an easy and safe way the desired grinding coarseness, without wasting time or coffee.



SPECIFICATIONS

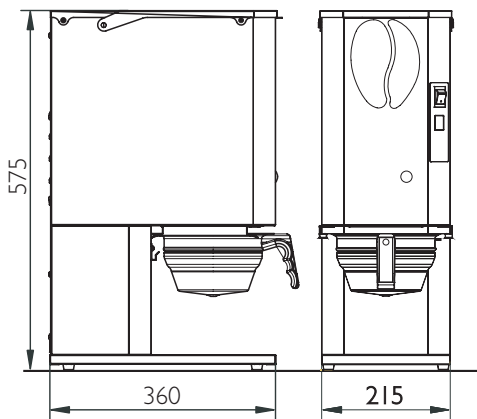
Grindstones	
Type	Flat
Diameter	65mm
Material	Hardened Steel
Motor	
Drive	Direct
Speed	1360 RPM
Power	450 watt
Supply	230vac
Various	
Hopper	1.4 Kg
Doser with counter	Micrometric
Hourly Output	10.0Kg
Dimensions	
Height	645mm
Width	184mm
Depth	267mm
Weight	11.5Kg



Product Code: 20504

GRINDER ORIGINAL is an elegant and silent grinder for grinding coffee beans directly into filter holder or cafetiere. It has a clear display at the front where you can easily adjust the amount of coffee to the number of cups you are brewing. You can also easily adjust the settings for the grind. The design of the grinder is in line with our Original Line brewers with high polished stainless steel. This makes this grinder suitable for all existing as well as new environments. Grinder Original Fits all our Original and Serving Concept coffee brewers, as well as most 1.8 litre brewers on the market.

Versatility with digital dose program and easy grind coarseness settings, enables the grinder to serve both cafetiere and filter equipment thanks to its built in auto-adjust filter pan guide rails.



SPECIFICATIONS

Grindstones	
Type	Flat
Diameter	65mm
Material	Hardened Steel
Motor	
Drive	Direct
Speed	1360 RPM
Power	450 watt
Supply	230vac
Various	
Hopper	2.5 Kg
Grind Adjust	Micrometric
Dose Settings	4-34 cups
Dimensions	
Height	575mm
Width	215mm
Depth	360mm
Weight	13Kg



Product Code: 1008810

THE WORLD OF
crem[®]
INTERNATIONAL

Crem International UK Ltd
Unit 3b Bridgewater Court, Bentley
Wood Way
Network 65 Business Park
Lancashire BB11 5ST

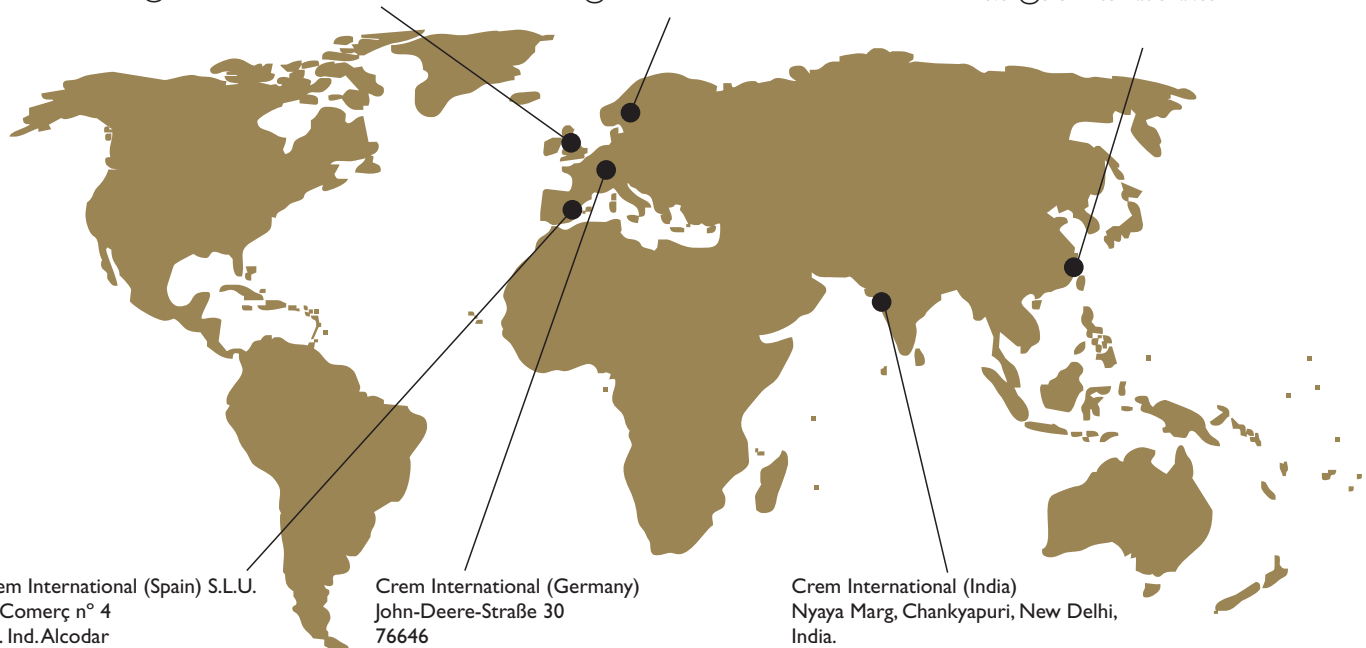
Phone: +44 (0)1282-458 473
Fax: +44 (0) 1282-450 355
info.uk@creminternational.com

Crem International (Sweden) AB
Viksgränd 2
Box 10
670 40 Åmotfors
Sweden

Phone: +46 570 477 00
Fax: +46 570 477 19
info.se@creminternational.com

Crem International (Shanghai) Co., Ltd.
Building A, No.521-551, Kangyi Road,
Kangqiao Industrial Zone
Pudong New Area, Shanghai, China
Post Code: 201315

Phone: +86 021 681 87 010
Fax: +86 021 681 870 20
info.cn@creminternational.com



Crem International (Spain) S.L.U.
C/ Comerç n° 4
Pol. Ind. Alcodar
46701 Gandía

Phone: +34 96 287 88 75
Fax: + 34 96 287 88 39
info.es@creminternational.com

Crem International (Germany)
John-Deere-Straße 30
76646
Bruchsal

Phone: +49 (0) 7251-97720
Fax: + 34 96 287 88 39
info.de@creminternational.com

Crem International (India)
Nyaya Marg, Chankyapuri, New Delhi,
India.
Post Code: 110021

Direct Line: +91 11 46067143
Mobile phone: +91 9310154141
amit.sharma@creminternational.com

Crem International UK Ltd

Unit 3b Bentley Wood Way, Network 65 Business Park, Burnley BB11 5ST
Phone: 01282-458 473. Fax: 01282-450 355

e-mail: sales.uk@creminternational.com
www.creminternational.com
Spares On Line - www.cremtechnical.co.uk